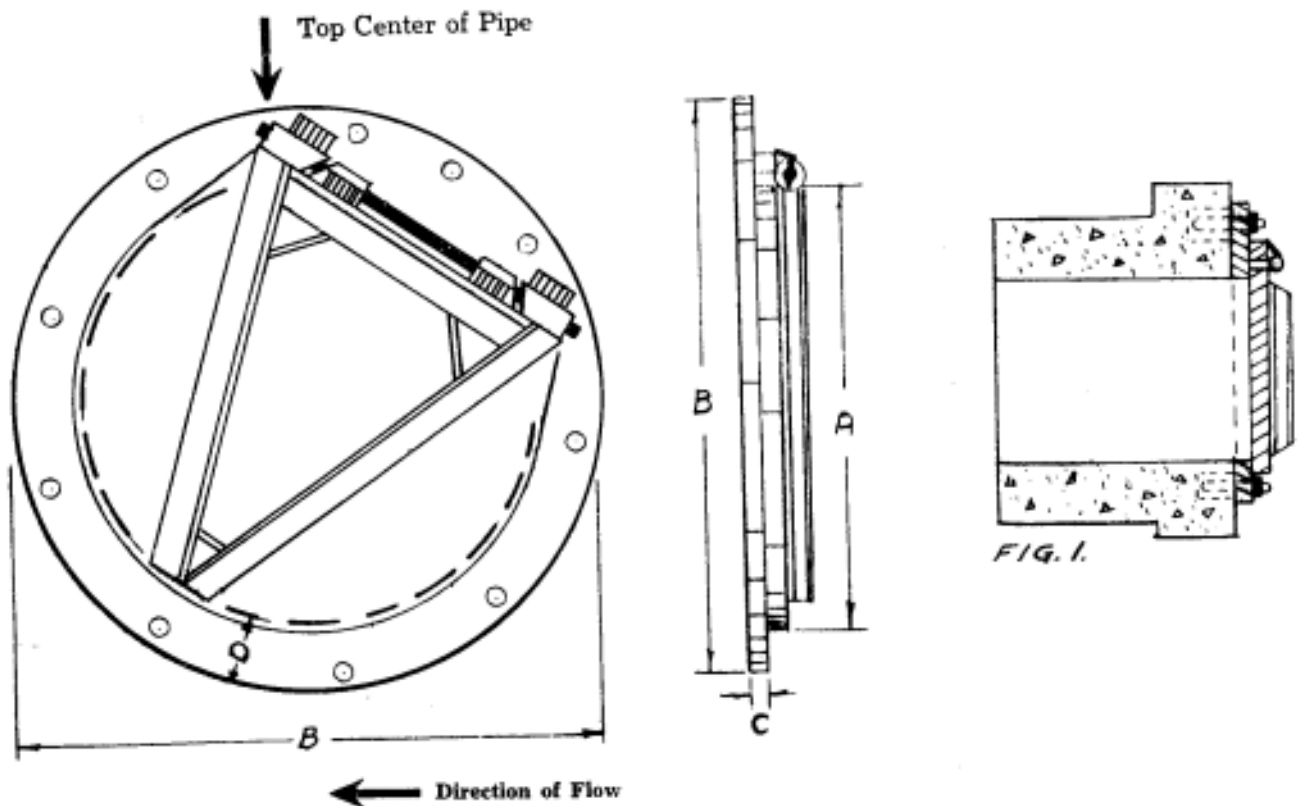


**MODEL A**

The Model A flap gate can be easily installed on annular corrugated, helical corrugated or concrete pipe. For corrugated pipe the band is held in place with machine bolts on the inside band and fits between the corrugations. For helical steel and concrete the band is held in place with set screws through the band. For mounting, slip band over end of pipe with one end of hinge at top center, opening against the flow of water. Tighten the bolts and set screws and the gate is mounted. Also mounted by using bolts through drilled holes in pipe. Note unique beveled hinge design.

**DATA AND DIMENSION TABLE**

Gate Size	A	B	C	
12"	16"	13" I.D.	3/16"x4"	
15"	19"	16" I.D.	1/4"x4"	
18"	22"	19" I.D.	1/4"x4"	
21"	25"	22" I.D.	1/4"x4"	
24"	28"	25" I.D.	1/4"x4"	
30"	34"	31" I.D.	1/4"x4"	
36"	40"	37" I.D.	1/4"x4"	
42"	46"	43" I.D.	1/4"x4"	
48"	52"	49" I.D.	5/16"x5"	
54"	58"	55" I.D.	5/16"x5"	
60"	64"	61" I.D.	5/16"x5"	
72"	76"	73" I.D.	3/8"x5"	Reinforcing channels standard on sizes 42" and up.
84"	90"	86" I.D.	3/8"x5"	Furnished at extra charge on 12" through 36" if for government or higher head specifications.
96"	102"	98" I.D.	3/8"x5"	



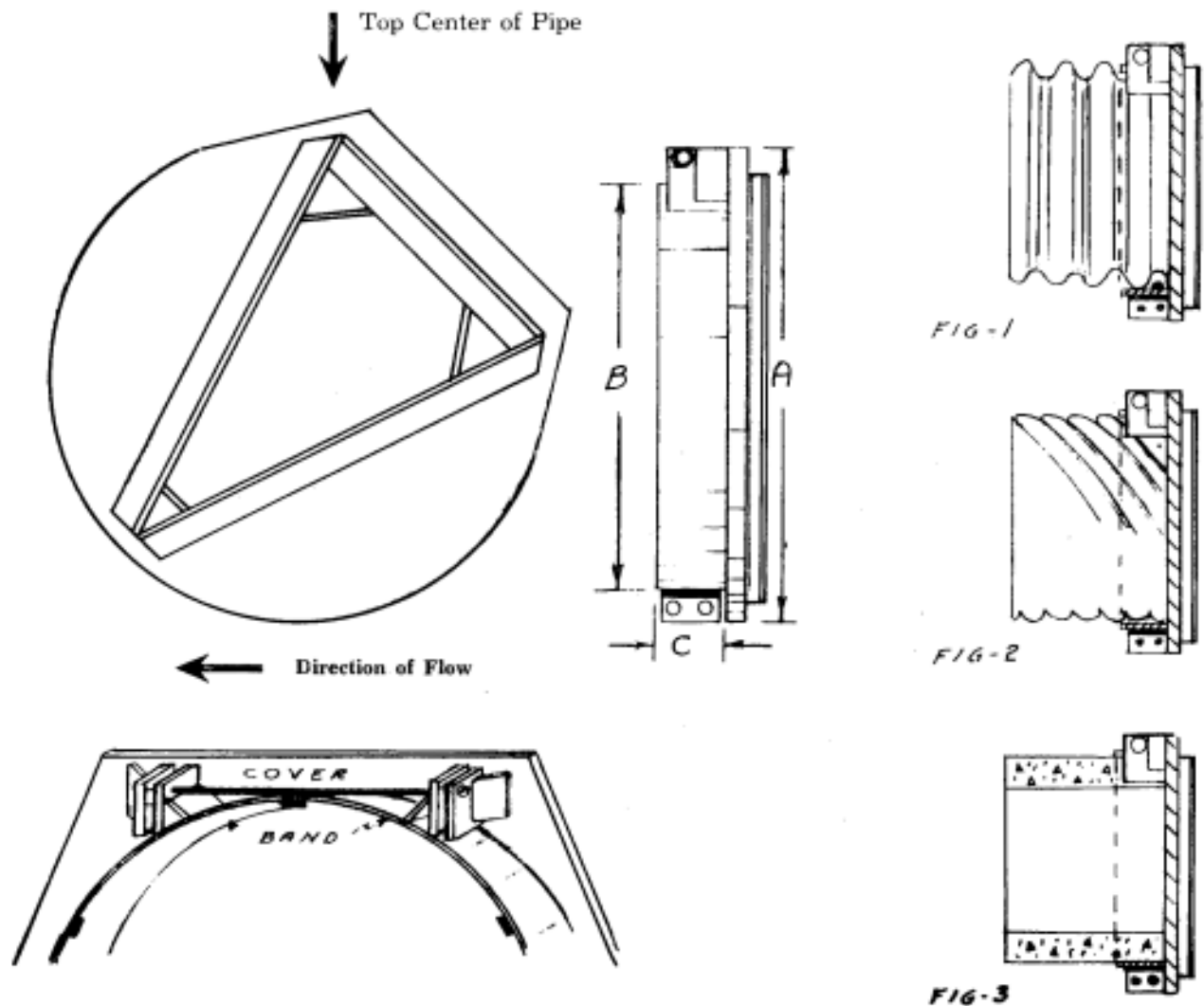
**MODEL A-2**

This type of gate is constructed so that it can be easily mounted on a flat head wall by using anchor bolts and it has a flat back. Seating pressures and other specifications are the same as Model A spigot back.

The working principals and material used are the same as the Model A.

**DATA AND DIMENSION TABLE**

Gate Size	A	B	C	D	Dia. of Anchor Bolts	Number of Anchor Bolts	Anchor Bolt Project On
8"	11"	18"	3/16"	5"	1/2"x7"	4	1-1/2"
10"	13"	20"	3/16"	5"	1/2"x7"	4	1-1/2"
12"	15"	22"	3/16"	5"	1/2"x7"	4	1-1/2"
15"	18"	25"	1/4"	5"	1/2"x7"	4	1-1/2"
18"	21"	28"	1/4"	5"	1/2"x7"	5	1-1/2"
21"	24"	31"	1/4"	5"	1/2"x7"	5	1-1/2"
24"	27"	34"	1/4"	5"	5/8"x10"	6	2"
30"	33"	40"	1/4"	5"	5/8"x10"	6	2"
36"	39"	46"	1/4"	5"	5/8"x10"	6	2"
42"	45"	52"	1/4"	5"	5/8"x10"	6	2"
48"	51"	58"	5/16"	5"	3/4"x10"	8	2"
54"	57"	64"	5/16"	5"	3/4"x10"	8	2"
60"	63"	70"	5/16"	5"	3/4"x10"	10	2"
72"	75"	82"	5/16"	5"	3/4"x10"	10	2"
84"		89"	3/8"	5"	1"x12"	12	2-1 2"
96"		101"	3/8"	5"	1"x12"	12	2-1 2"



**MODEL B**

The working principals, and the method of installation are the same as those of the Model A flap gate, except priced more **economically**, and generally for lower head pressures than Model A, and for light duty.

**DATA AND DIMENSION TABLE**

Gate Size	A	B	C	
6"	9"	7" I.D.	1/8"x4"	
8"	11"	9" I.D.	1/8"x4"	
10"	13"	11" I.D.	3/16"x4"	
12"	15"	13" I.D.	3/16"x4"	
15"	18"	16" I.D.	3/16"x4"	
18"	21"	19" I.D.	3/16"x4"	
21"	24"	22" I.D.	1/4"x4"	
24"	28"	25" I.D.	1/4"x4"	
30"	33"	31" I.D.	1/4"x4"	
36"	40"	37" I.D.	1/4"x4"	Reinforcing channels standard on sizes 42" and up.
42"	46"	43" I.D.	1/4"x4"	Furnished at extra charge on 12" through 36" if for
48"	52"	49" I.D.	1/4"x4"	government or higher head specifications.